



Electrolux
PROFESSIONAL

**Blast Chillers-Freezers CW
Blast Chiller-Freezer Crosswise
19,5/15KG (R452A)**

ITEM # _____

MODEL # _____

NAME # _____

SIS # _____

AIA # _____



727893 (RBF061)

Blast Chiller & Freezer
19,5/15kg, compatible with
6x1/1 GN crosswise Oven -
R452A

Short Form Specification

Item No. _____

- Blast chiller/freezer with digital temperature and time display
- For 6 GN 1/1 or 5 600x400 mm trays
- Load capacity: chilling 19,5 kg (UK guidelines); freezing 15 kg (UK guidelines)
- Single sensor core probe
- Operating air temperature: +3 -41°C
- Automatic and manual defrosting
- Blast chilling real residual time estimation (A.R.T.E.)
- Turbo cooling function
- Specific cycles for ice cream
- Evaporator with antirust protection
- HACCP and Service alarms with data logging
- Main components in 304 AISI stainless steel
- Internal rounded corners and drain
- Cyclopentane insulation (HCFC, CFC and HFC free)
- Built-in refrigeration unit
- R452a refrigerant gas (HCFC and CFC free)
- Performance guaranteed at ambient temperatures of 40°C

Main Features

- Blast Chilling cycle: 19,5 kg from 90°C up to 3°C in less than 90 mins.
- Blast Freezing cycle: 15 kg from 90°C up to -18°C in less than 240 min.
- Soft Chilling (air temperature -2°C).
- Hard Chilling (air temperature -20°C).
- Freezing (air temperature -36°C)
- Holding at +3 °C for chilling or -36 °C for freezing, automatically activated at the end of each cycle, to save energy and maintain the target temperature (manual activation is also possible).
- Turbo cooling: chiller works continuously at the desired temperature; ideal for continuous production.
- Control unit provides two large displays to read out: time, core temperature, cycle countdown, alarms, service information.
- Two customizable cycles (P1 & P2) for each operating mode, allowing to set the time and air temperature. These programs can be converted into ice-cream specialized cycles (shape maintenance and holding).
- All information related to the different operating models are recorded: date, time, cycle, core temperature, holding temperature, HACCP accordance.
- Single sensor core probe as standard.
- Remaining time estimation for probe-driven cycles based on artificial intelligence techniques (ARTE) for an easier planning of the activities.
- Performance guaranteed at ambient temperatures of +40°C.
- Automatic and manual defrosting.

Construction

- High density polyurethane insulation, 60 mm thickness, HCFC free.
- Ventilator swinging hinged panel for access to the evaporator for cleaning.
- No water connections required.
- Waste water can be plumbed into drain, but can also be collected in an optional waste container.
- Built-in refrigeration unit.
- Removable magnetic door gasket with hygienic design.

Included Accessories

- 1 of 1 single-sensor probe for blast chiller and blast chiller&freezers PNC 880213

Optional Accessories

- Connectivity kit for AOC/ EasyLine and CW Blast Chillers/ Blast Chiller Freezers (ECAP) PNC 880183
- 1 single-sensor probe for blast chiller and blast chiller&freezers PNC 880213
- Rilsan grid 600x400mm PNC 880864

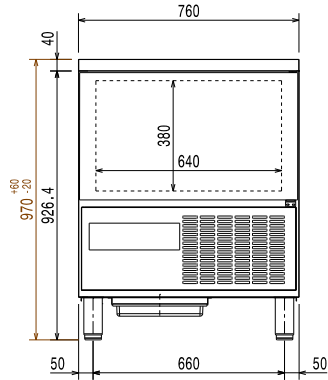
APPROVAL: _____



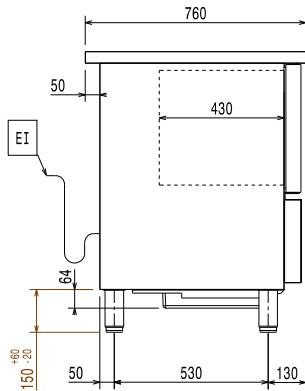
Experience the Excellence
www.electroluxprofessional.com

- Kit wheels for 15kg blast chiller&freezers PNC 881052
- Plastic coated grid, 1/1GN PNC 881061
- 4 wheels for blast chillers and blast chiller/freezers PNC 881097
- Stacking kit for 6 GN 1/1 convection oven on 15&25 kg blast chiller/freezer crosswise PNC 881528
- Pair of 1/1GN AISI 304 stainless steel grids PNC 921101
- KIT HACCP EKIS PNC 922166
- Ethernet connector for ECAP protocol appliances PNC 922768

Front

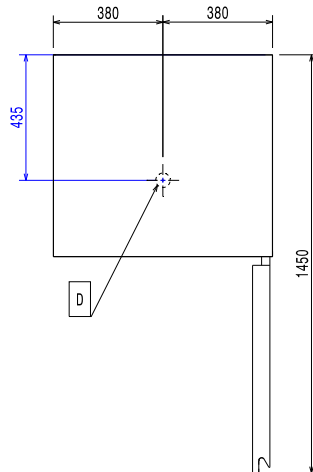


Side



EI = Electrical inlet (power)

Top



Electric

Supply voltage:
 727893 (RBF061) 220-240 V/1 ph/50 Hz
 Electrical power max.: 1.58 kW
 Circuit breaker required

Installation:

Clearance: 5 cm on sides and back.
 Please see and follow detailed installation instructions provided with the unit

Capacity:

GN: 6 - 1/1 containers

Key Information:

External dimensions, Width: 760 mm
 External dimensions, Depth: 760 mm
 External dimensions, Height: 970 mm
 Net weight: 105 kg
 Shipping weight: 112 kg
 Shipping volume: 0.79 m³

Refrigeration Data

Refrigeration power at evaporation temperature: -25 °C

Product Information (EN17032 – Commission Regulation EU 2015/1095)

Chilling Cycle Time (+65°C to +10°C): 109 min
 Full load capacity (chilling): 30 kg
 Freezing Cycle Time (+65°C to -18°C): 259 min
 Full load capacity (freezing): 15 kg

Sustainability

Refrigerant type: R452A
 GWP Index: 2141
 Refrigeration power: 1072 W
 Refrigerant weight: 850 g
 Energy consumption, cycle (chilling): 0.0991 kWh/kg
 Energy consumption, cycle (freezing): 0.3553 kWh/kg